

UTAH-100 X Series 16HDCP

Thursday, November 11, 2010

Use an Internet Browser to
configure Inputs and Outputs

Output Selection



Input Selection

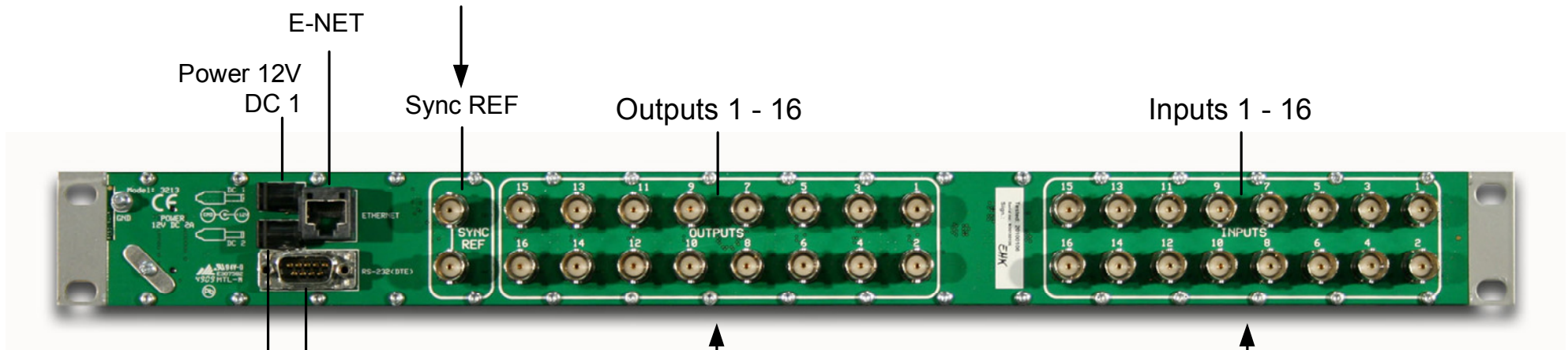
Power

LAN Active

UTAH-100 X Series 16HDCP

Thursday, November 11, 2010

Reference is Analog Video;
Use PAL, NTSC, or Tri-Level Sync
Terminate unused BNC with
75 ohm terminator.



E-NET
Power 12V
DC 1
DC 2
Router

Sync REF

Outputs 1 - 16

Inputs 1 - 16

RS-232

- 9-Pin**
- | | |
|--------|---------|
| 1 - NC | 5 - GND |
| 2 - RX | 6 - NC |
| 3 - TX | 7 - NC |
| 4 - NC | 8 - NC |
| | 9 - NC |

Use Standard SMPTE 259M, 292M, or
424M cable.
Auto reclocking data rates at 270 Mb/s,
1.483 Gb/s, 1.485 Gb/s, 2.966 Gb/s, and
2.97 Gb/s.